

# LUONTO®

## CASEY ASSEMBLY Locating and installing the legs

### INCLUDED

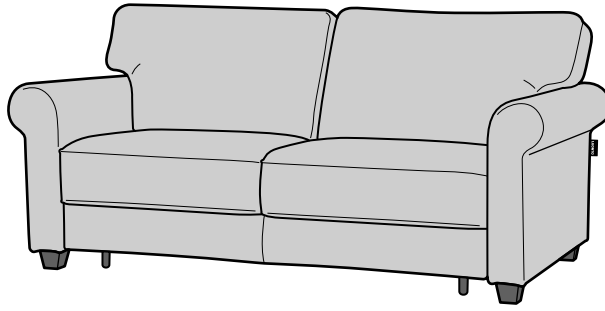
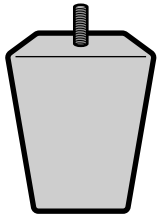
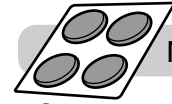


Support Legs X2

Wood Legs X4



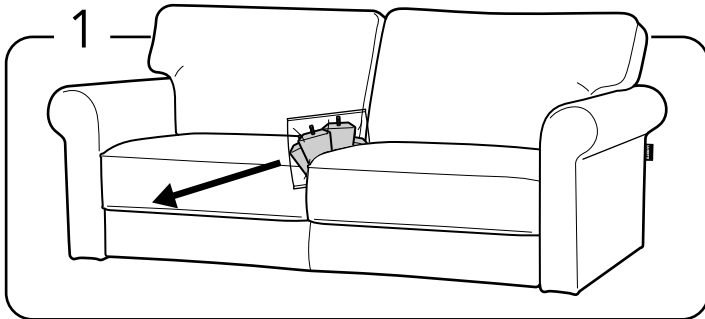
Non Slip Pads X4



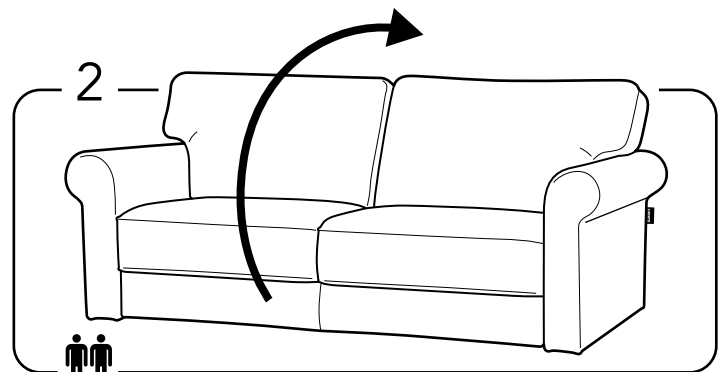
### ATTENTION!

The Legs for your Luonto Sofa are secured to the top of the seat cushion or beneath the seat cushion (in the no-sag springs) depending on the sofa or leg style.

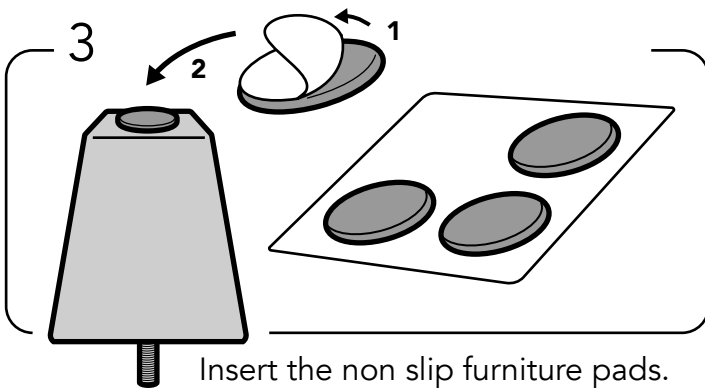
2-Persons  
are required



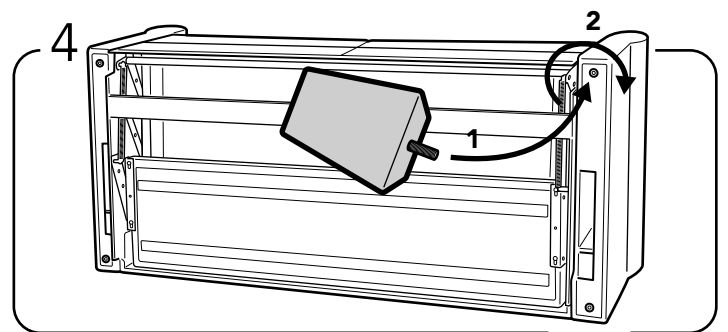
1 Remove the legs from the top of the seat cushion.



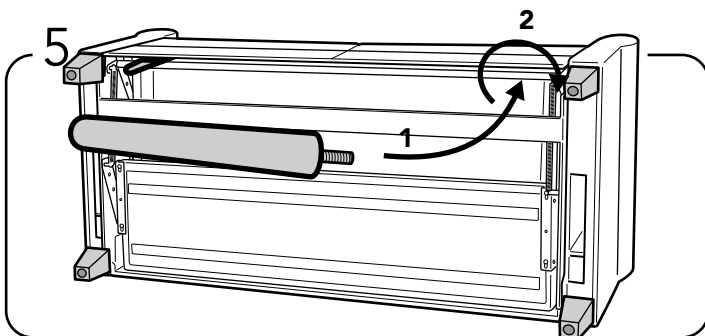
2 Turn the sofa to the backside.



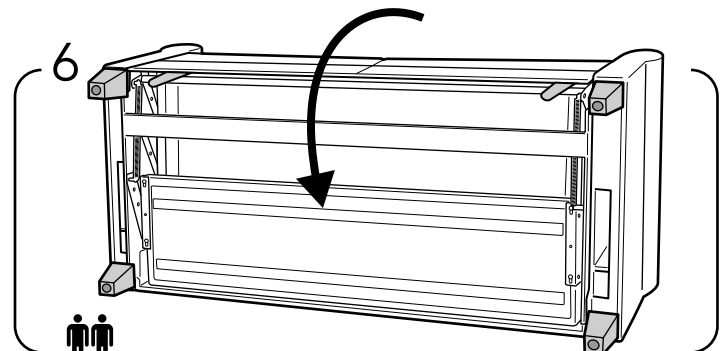
3 Insert the non slip furniture pads.



4 Mount them in place by twisting each clock-wise into the pre-drilled holes in each of the four.



5 Mount the support legs in place by twisting each clock-wise into the pre-drilled holes.



6 Carefully, turn the sofa upright and ensure each of the legs are installed properly.