

INCLUDED

Support Legs X2

Hex Wrenches X1

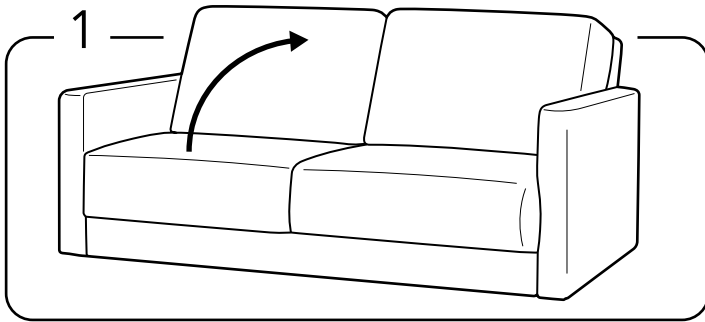
Leg X1

M6X55mm X4

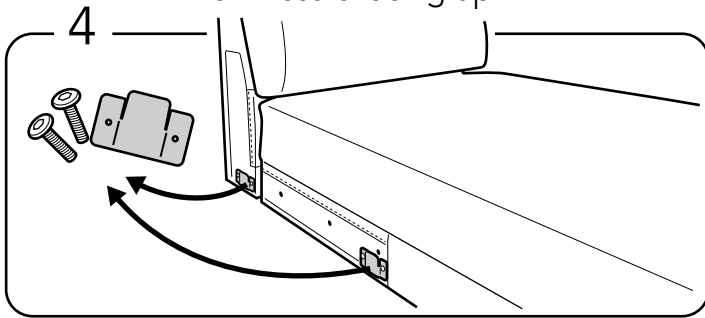
Legs X7

Non Slip Pads X3

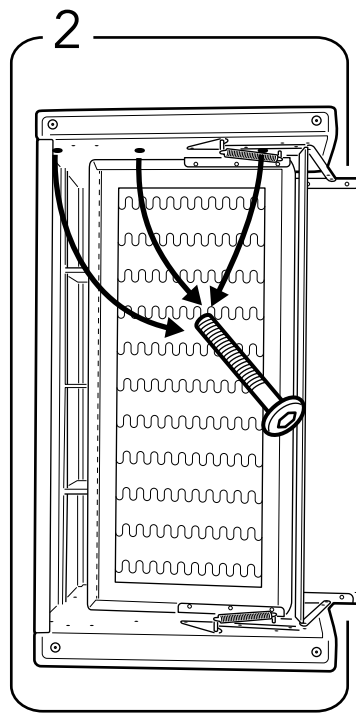
ATTENTION! Choose left or right handed place for chaise
(this instruction shown how to assembly left handed chaise)



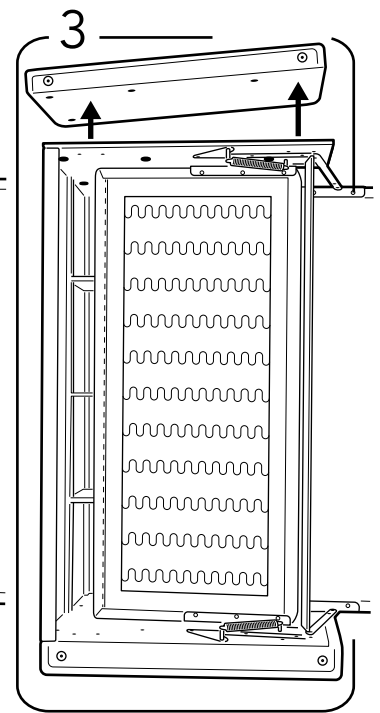
1 Turn the sleeper part so that the unassembly armrest is facing up.



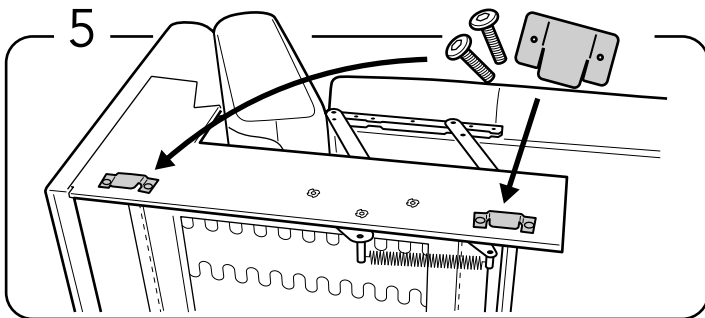
4 remove 2 bolts and 1 metal bracket from chaise and another from backrest of the chaise as in picture.



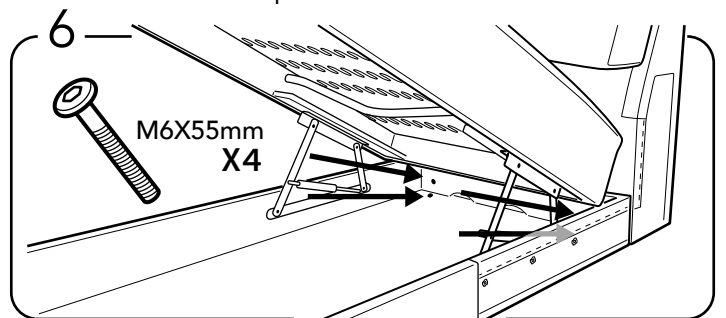
2- Remove 3 bolts from the armrest.



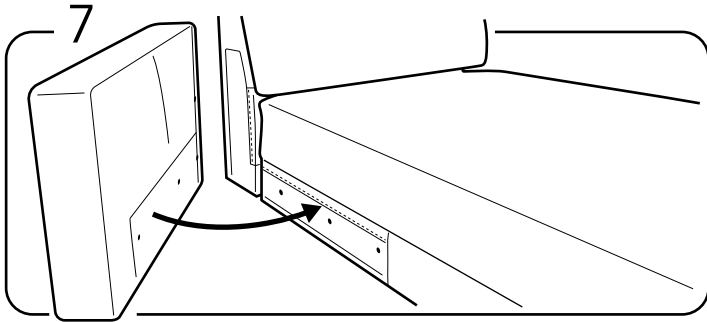
3- Remove the armrest and relocate, then Turn the sleeper back to the backside.



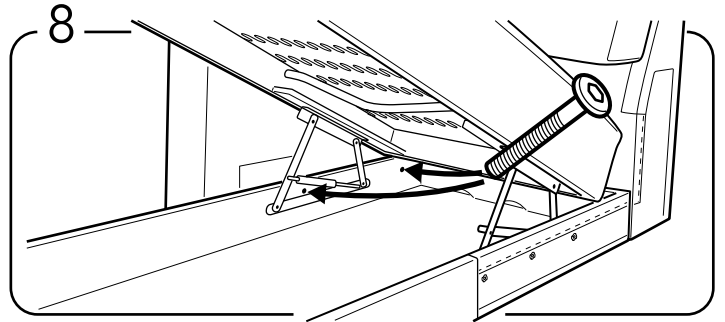
5 Attach previously unmounted metal brackets inverted with M6 x 20 bolts to the sleeper chaise side.



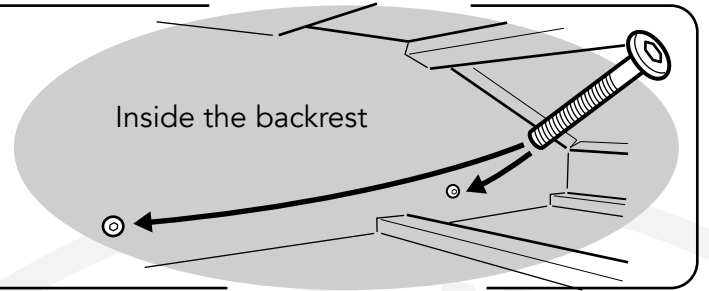
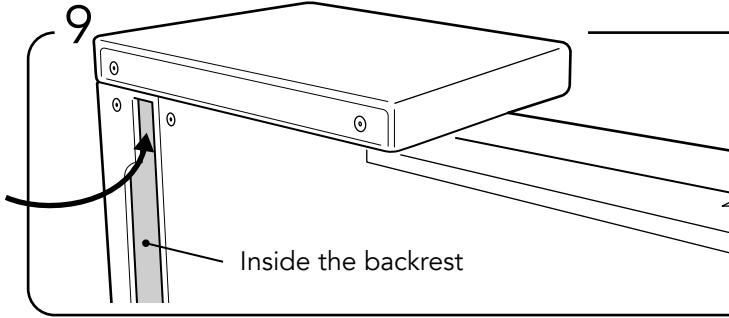
6 Attach the chaise backrest to the storage box with 4pcs M6 x 55 bolts.



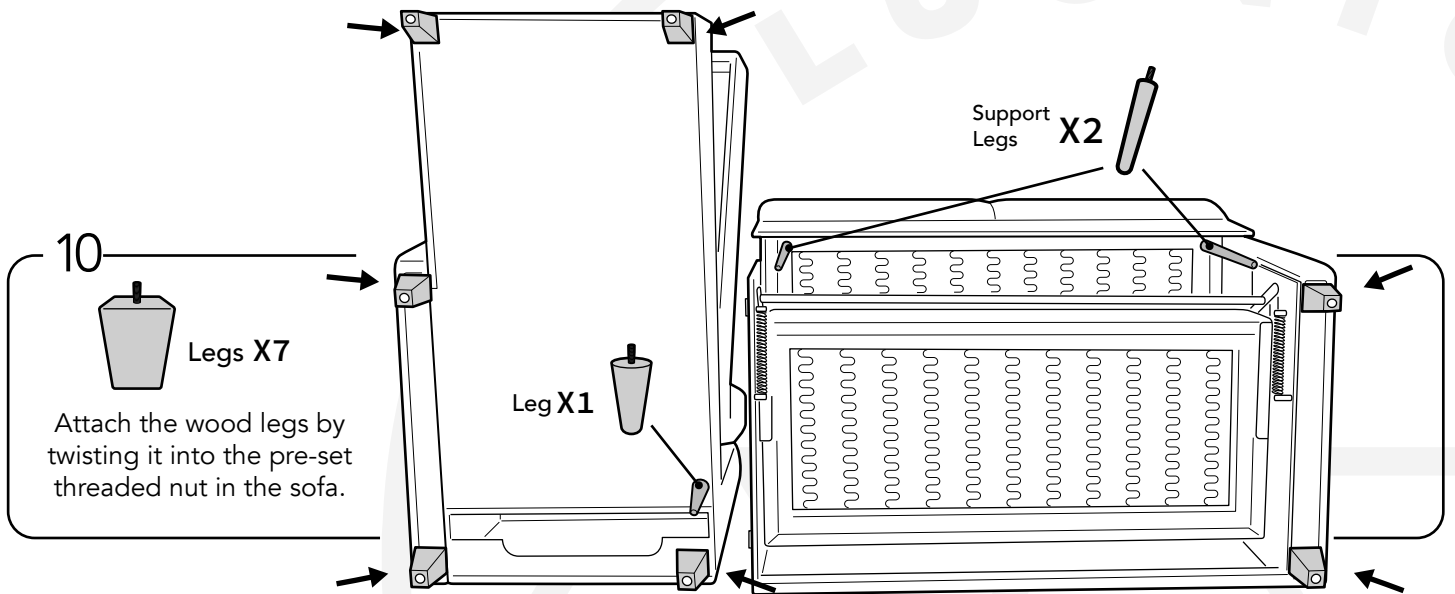
Place the armrest next to the chaise.



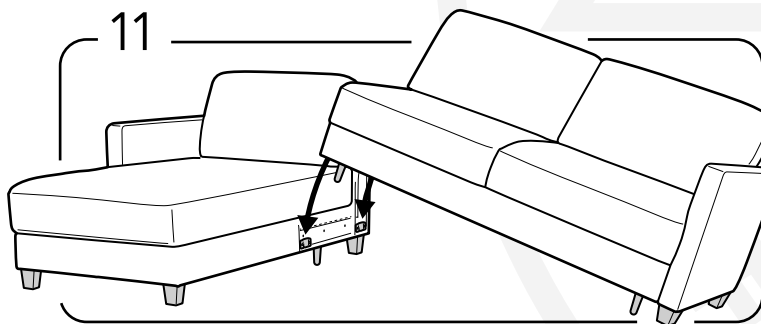
Fix the armrest first with two M6 x 55 bolts from inside the storage box.



Close the chaise, turn it to the side and fix the armrest from inside the backrest with two M6 x 55 bolts.

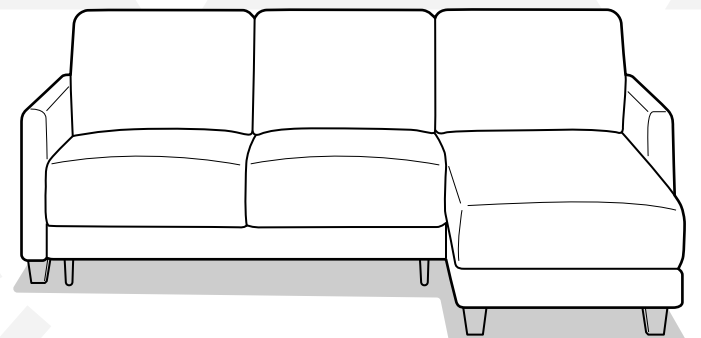


Attach the wood legs by twisting it into the pre-set threaded nut in the sofa.



Attach the sleeper part with the chaise part as shown on picture. Be sure that the both metal brackets are attached correctly!

Note: Opening the chaise will make this process easier



This is how the final product should look like.

